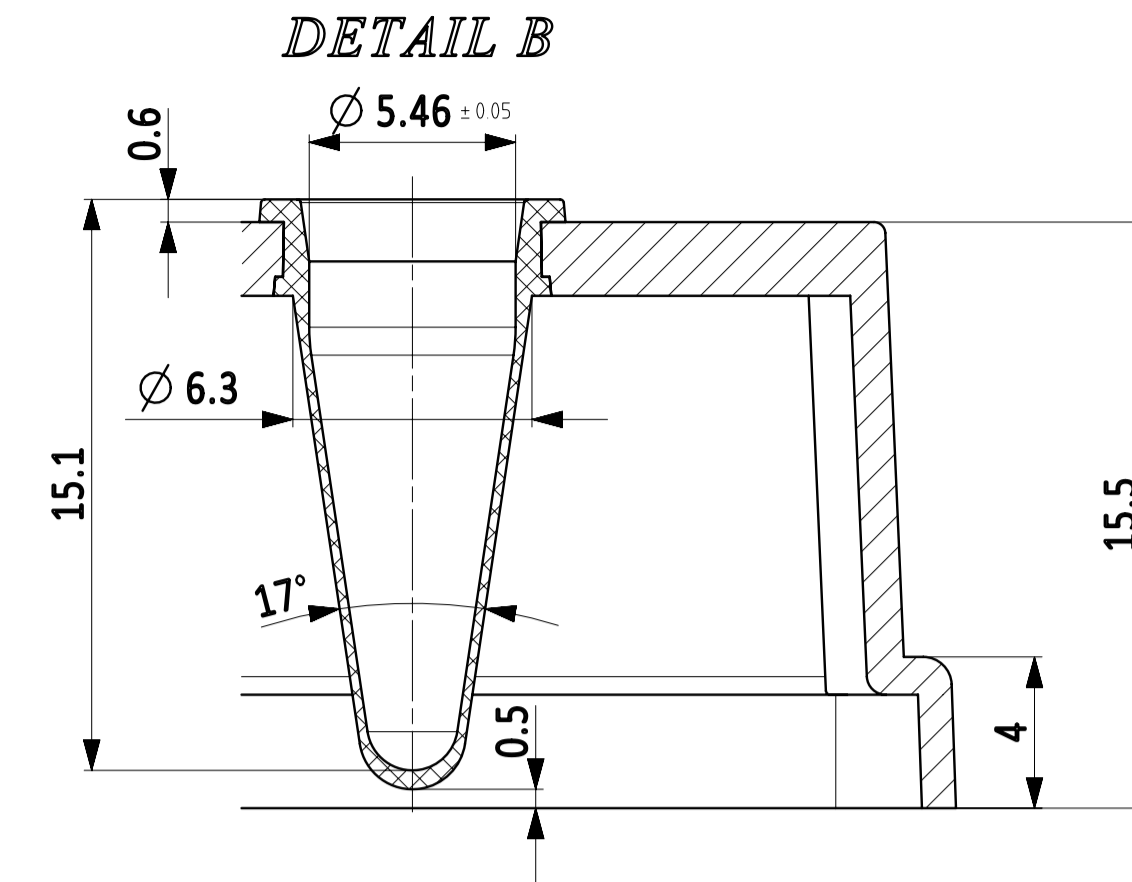
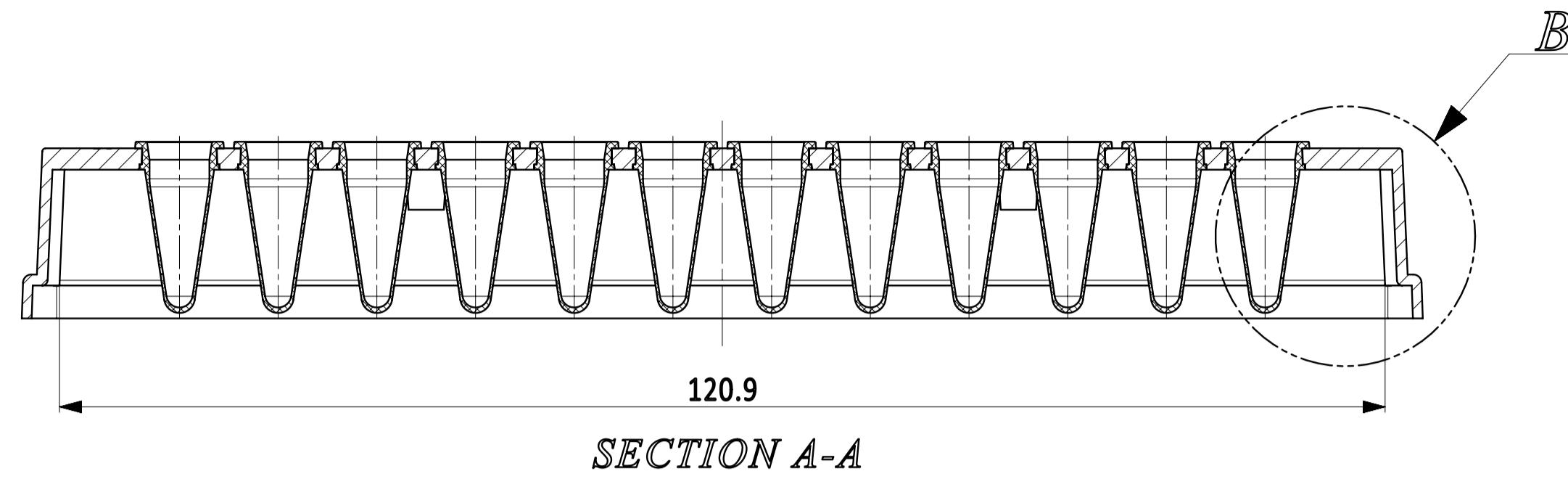
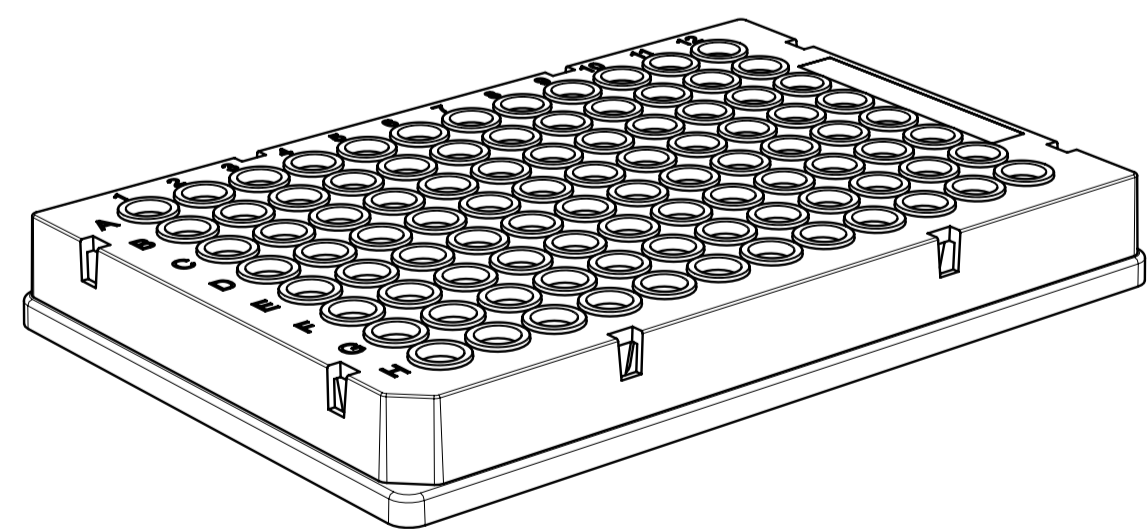
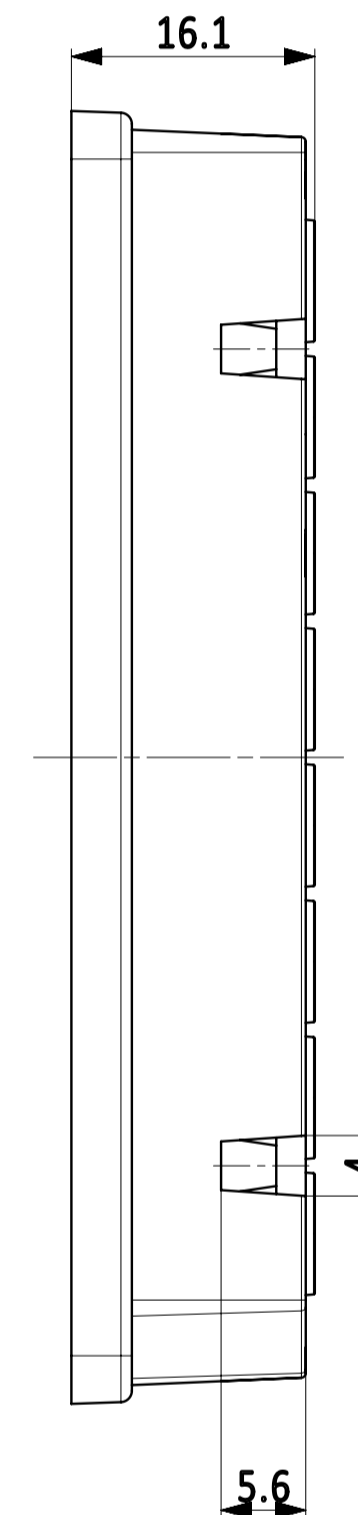
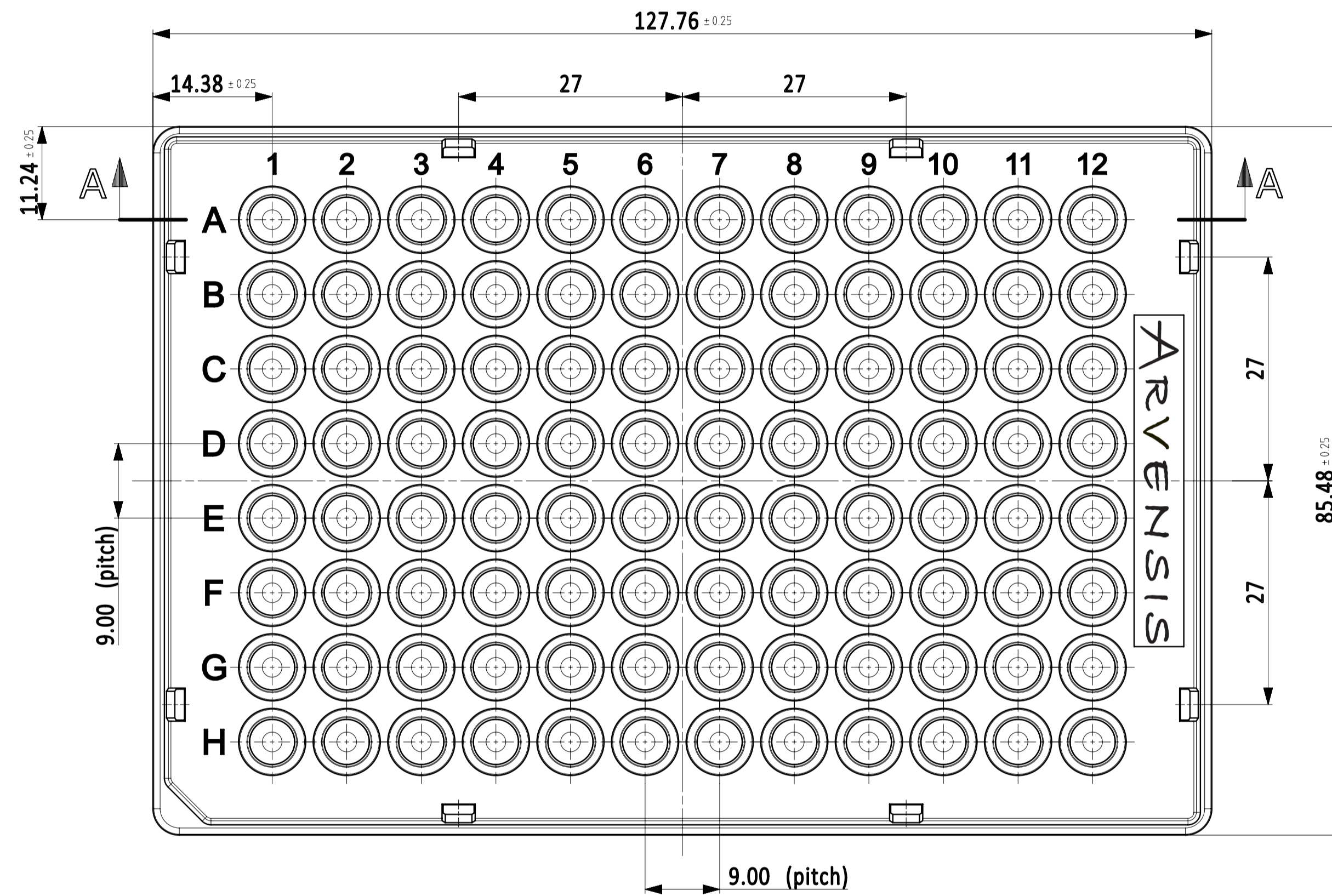


THE INFORMATION CONTAINED IN THIS DRAWING IS PROPERTY OF ARVENSIS LTD. ANY REPRODUCTION IN PART OR WHOLE WITHOUT THE WRITTEN PERMISSION OF ARVENSIS LTD IS PROHIBITED. UPON RECEIPT OF WHICH IT IS THE USERS RESPONSIBILITY TO SEEK CONFIRMATION OF ANY DIMENSIONS AND TOLERANCES.



Maximum well capacity:
225uL

ALL GRID REFERENCES ARE HOT FOILED



SCALE 1:1

MARKETING DRAWING

REV	DATE	DESCRIPTION OF CHANGE	Changed by	Project	Designer	GENERAL TOLERANCES		DIMENSIONS NOT SHOWN ON DRAWING ARE CONTROLLED BY 3D CAD FILE		ARVENSIS
				Customer:	Dale Noel Ritzky	Dimension rank	Tolerance	DO NOT SCALE PRINTS UNLESS OTHERWISE SPECIFIED ALL DIMENSIONS ARE IN MM		
				Material: SEE NOTES	Drawn date: 30.12.2021	Angular	± 0.25°	FIRST ANGLE PROJECTION		
				Finish: SEE NOTES	Approved by: Paul Day	0-6	± 0.05	CAD file: AR-002-TF96_rev_5.prt		Drawing no: AR-002-TF-96_rev_5
					Sheet 1 OF 1	6-30	± 0.10	AR-002-TF96_rev_5.prt		
					Scale: 2:1	30-120	± 0.15	AR-002-TF96_rev_5.prt		
					Size: A1	120-315	± 0.25	AR-002-TF96_rev_5.prt		